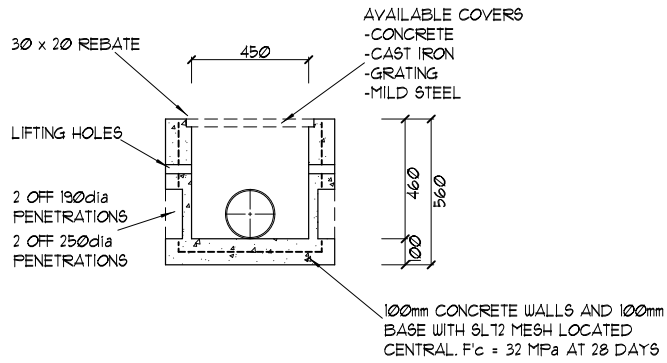
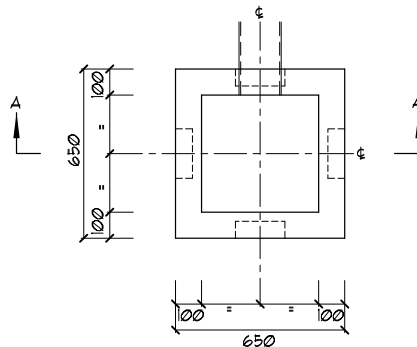


## 450 x 450 DRAINAGE PIT



SECTION A-A  
SCALE 1:25



PLAN  
SCALE 1:25

NOTES

- EXTENSION RISERS MADE TO EACH DEPTH REQUIRED
- MIN HEIGHT 300mm
- OVERALL DIMENSIONS OF PIT 650mm WIDE AND 560mm DEEP
- ALL DIMENSIONS IN MILLIMETRES UNLESS STATED OTHERWISE
- WEIGHT 460kg

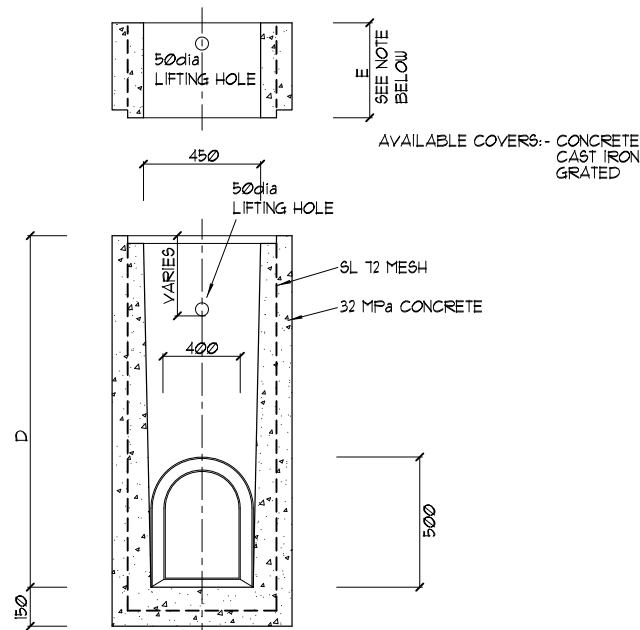
**STATEWIDE CONCRETE PRODUCTS**

22 KANOWNA STREET, HASTINGS  
Ph (03) 5979 3349 Fax (03) 5979 1504

**SCP-301**

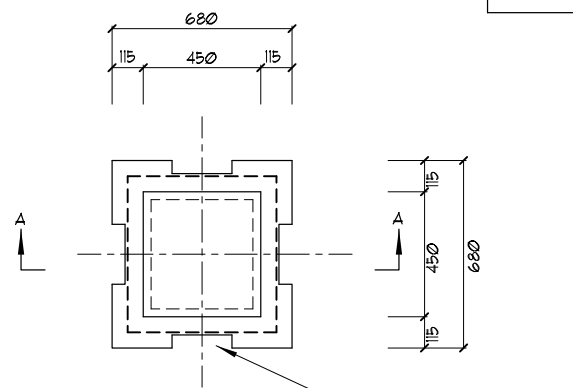
DRAWN	S.R.T. Drafting & Design
CHECKED	R.T.
DATE	2/8/2004

## 450 x 450 STANDARD STORM WATER PIT



SCALE 1:25

AVAILABLE BASE IN STOCK 'D'	AVAILABLE EXTENSIONS 'E'
500 INTERNAL DEPTH	300mm MINIMUM
600 INTERNAL DEPTH	100mm RISE TO 1500
700 INTERNAL DEPTH	TO ALL UNITS
800 INTERNAL DEPTH	
900 INTERNAL DEPTH	
1000 INTERNAL DEPTH	



SCALE 1:25

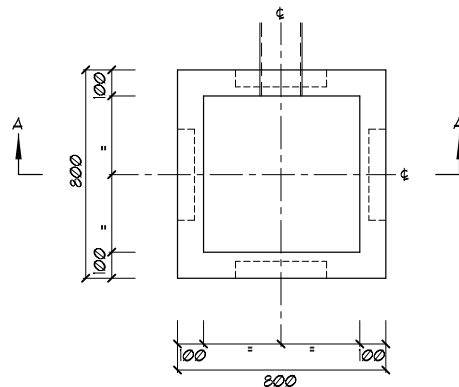
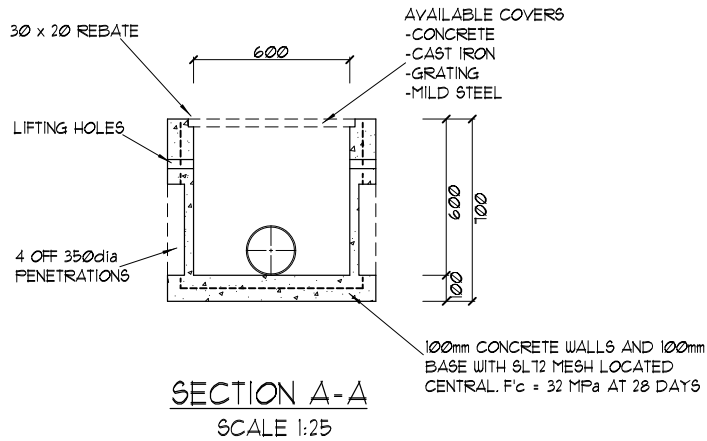
**STATEWIDE CONCRETE PRODUCTS**

22 KANOWNA STREET, HASTINGS  
Ph (03) 5979 3349 Fax (03) 5979 1504

**SCP-311**

DRAWN	S.R.T. Drafting & Design
CHECKED	R.T.
DATE	18/12/2009

## 600 x 600 DRAINAGE PIT



NOTES

- EXTENSION RISERS MADE TO EACH DEPTH REQUIRED
- MIN HEIGHT 300mm
- OVERALL DIMENSIONS OF PIT 800mm WIDE AND 100mm DEEP
- ALL DIMENSIONS IN MILLIMETRES UNLESS STATED OTHERWISE
- WEIGHT 600kg

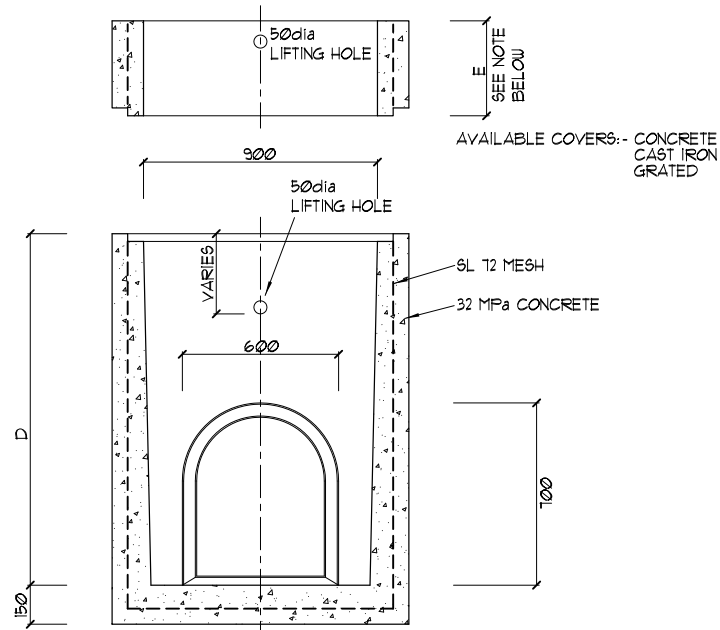
**STATEWIDE CONCRETE  
PRODUCTS**

22 KANOWNA STREET, HASTINGS  
Ph (03) 5979 3349 Fax (03) 5979 1504

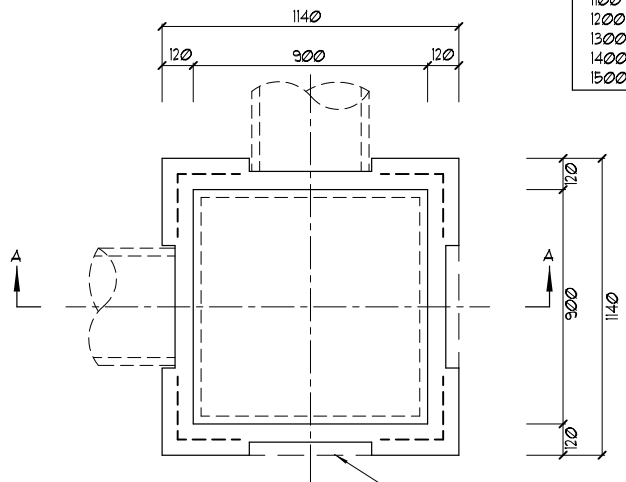
**SCP-302**

DRAWN	S.R.T. Drafting & Design
CHECKED	R.T.
DATE	2/8/2004

# 900 x 900 STANDARD STORM WATER PIT



**SECTION A-A**  
SCALE 1:25



**PLAN**  
SCALE 1:25

Knockouts provided on all four walls up to 600 dia including R.C.P.

AVAILABLE BASE IN STOCK 'D'	AVAILABLE EXTENSIONS 'E'
800 INTERNAL DEPTH	900 EFFECTIVE HEIGHT
900 INTERNAL DEPTH	
1000 INTERNAL DEPTH	
1100 INTERNAL DEPTH	
1200 INTERNAL DEPTH	
1300 INTERNAL DEPTH	
1400 INTERNAL DEPTH	
1500 INTERNAL DEPTH	

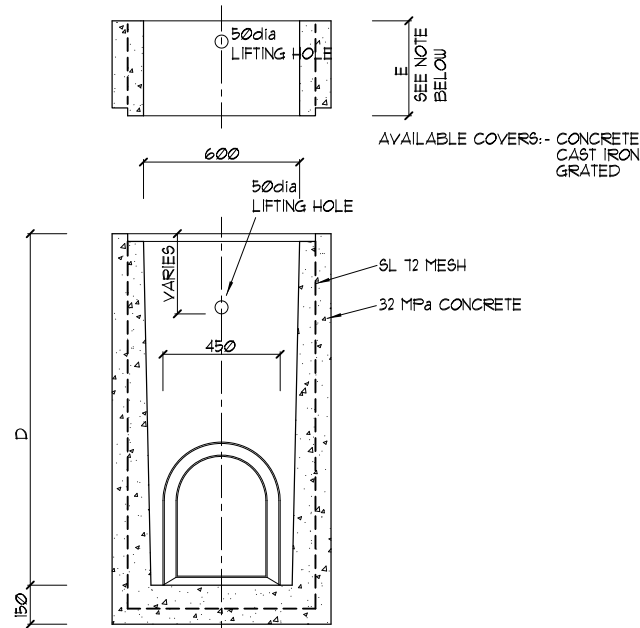
**STATEWIDE CONCRETE PRODUCTS**

22 KANOWNA STREET, HASTINGS  
Ph (03) 5979 3349 Fax (03) 5979 1504

**SCP-304**

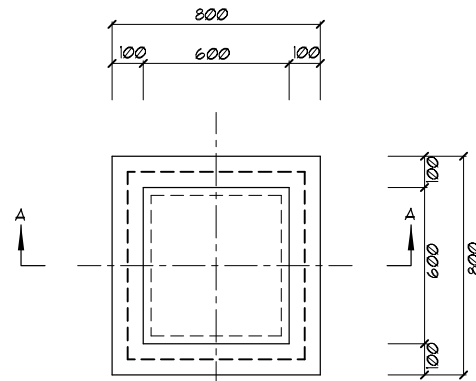
DRAWN	S.R.T. Drafting & Design
CHECKED	R.T.
DATE	7/11/2004

## 600 x 600 STANDARD STORM WATER PIT



**SECTION A-A**  
SCALE 1:25

AVAILABLE BASE IN STOCK 'D'	AVAILABLE EXTENSIONS 'E'
600 INTERNAL DEPTH	300mm MINIMUM
700 INTERNAL DEPTH	100mm RISE TO 1500
800 INTERNAL DEPTH	TO ALL UNITS
900 INTERNAL DEPTH	
1000 INTERNAL DEPTH	
1100 INTERNAL DEPTH	
1200 INTERNAL DEPTH	
1300 INTERNAL DEPTH	
1400 INTERNAL DEPTH	
1500 INTERNAL DEPTH	



**PLAN**  
SCALE 1:25

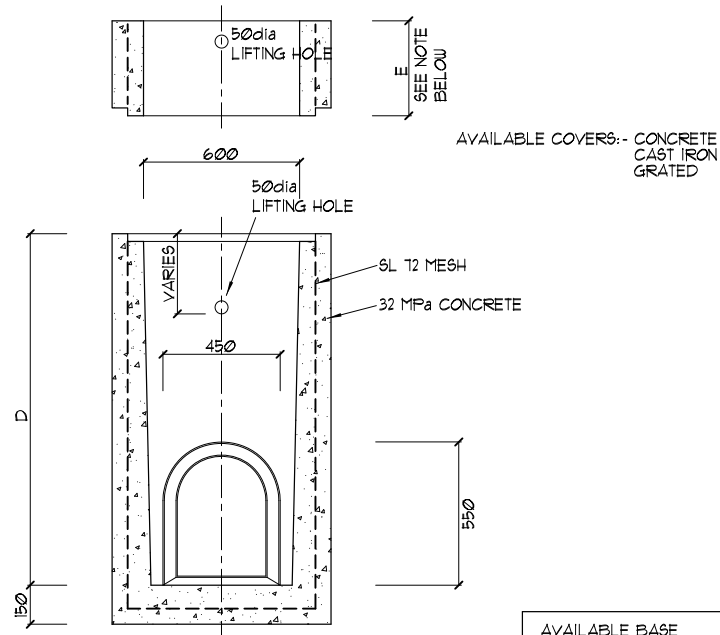
**STATEWIDE CONCRETE PRODUCTS**

22 KANOWNA STREET, HASTINGS  
Ph (03) 5979 3349 Fax (03) 5979 1504

**SCP-308**

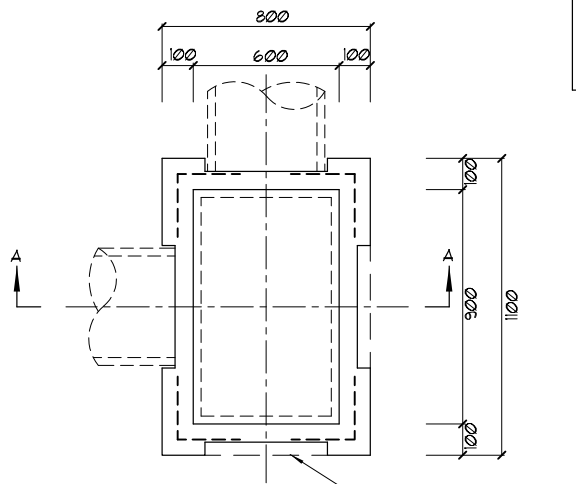
DRAWN	S.R.T. Drafting & Design
CHECKED	R.T.
DATE	9/11/2009

## 900 x 600 STANDARD STORM WATER PIT



**SECTION A-A**  
SCALE 1:25

AVAILABLE BASE IN STOCK 'D'	AVAILABLE EXTENSIONS 'E'
600 INTERNAL DEPTH	300mm MINIMUM 100mm RISE TO 1500 TO ALL UNITS
700 INTERNAL DEPTH	
800 INTERNAL DEPTH	
900 INTERNAL DEPTH	
1000 INTERNAL DEPTH	
1100 INTERNAL DEPTH	
1200 INTERNAL DEPTH	
1300 INTERNAL DEPTH	
1400 INTERNAL DEPTH	
1500 INTERNAL DEPTH	



**PLAN**  
SCALE 1:25

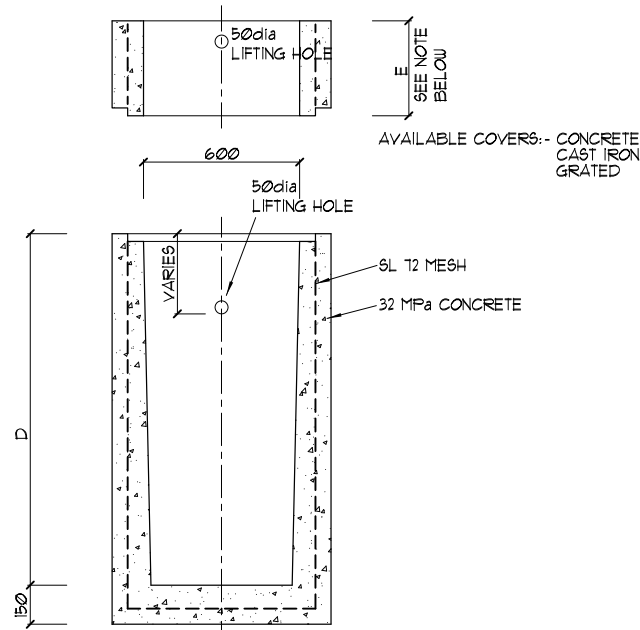
**STATEWIDE CONCRETE PRODUCTS**

22 KANOWNA STREET, HASTINGS  
Ph (03) 5979 3349 Fax (03) 5979 1504

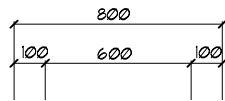
**SCP-309**

DRAWN	S.R.T. Drafting & Design
CHECKED	R.T.
DATE	9/11/2009

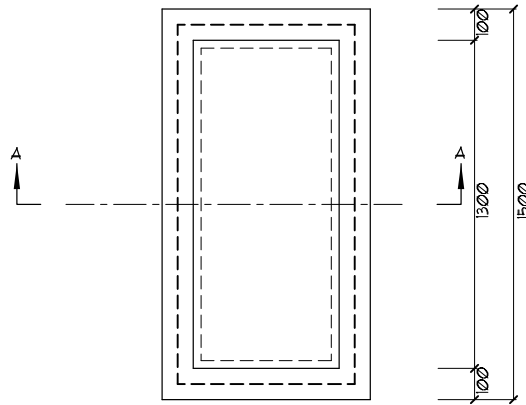
# 1300 x 600 STANDARD STORM WATER PIT



**SECTION A-A**  
SCALE 1:25



AVAILABLE BASE IN STOCK 'D'	AVAILABLE EXTENSIONS 'E'
900 INTERNAL DEPTH	300mm MINIMUM
1200 INTERNAL DEPTH	100mm RISE TO 1500mm
1500 INTERNAL DEPTH	TO ALL UNITS



**PLAN**  
SCALE 1:25

**STATEWIDE CONCRETE PRODUCTS**

22 KANOWNA STREET, HASTINGS  
Ph (03) 5979 3349 Fax (03) 5979 1504

**SCP-308**

DRAWN	S.R.T. Drafting & Design
CHECKED	R.T.
DATE	9/11/2009